

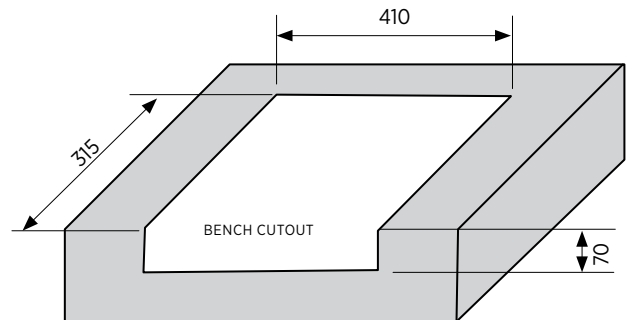
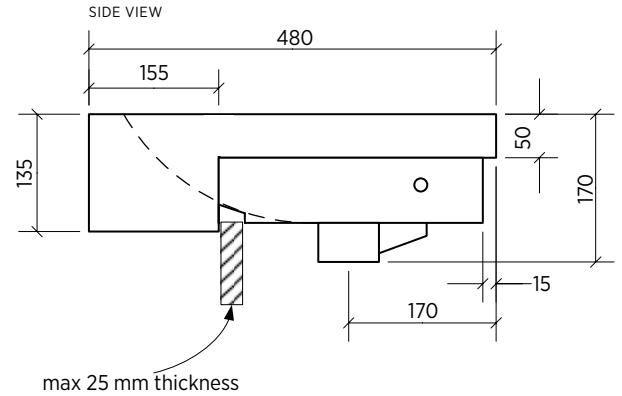
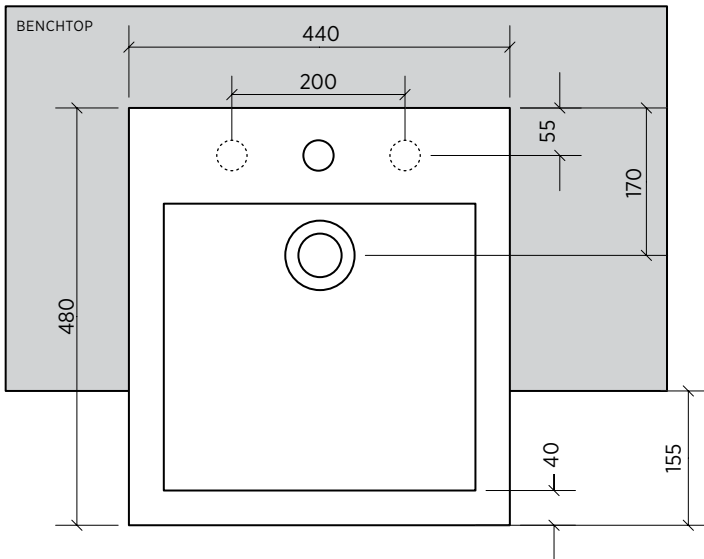
KYRA SBC-210



Semi-recessed basin, square

This minimalist semi-recessed basin has architectural design features. Ideal for narrow benchtops, it has generous capacity.

ORDER CODE	SBC-210	1 taphole
	SBC-210-0T	no taphole
	SBC-210-3T	3 taphole
TAPHOLE	0, 1 or 3 tapholes (35 mm diameter).	
WASTE	Suits standard 32 mm waste (not supplied).	
CAPACITY	8 litres.	
OVERFLOW	Has overflow.	
MATERIAL	White vitreous china.	
FIXING	Use acetic cured silicone sealant. Do not use epoxy type adhesives. Always use the actual basin to verify cutout.	



 Nanoglaze surface - ultra-smooth and anti-bacterial, easy to clean

 Basin has integrated overflow